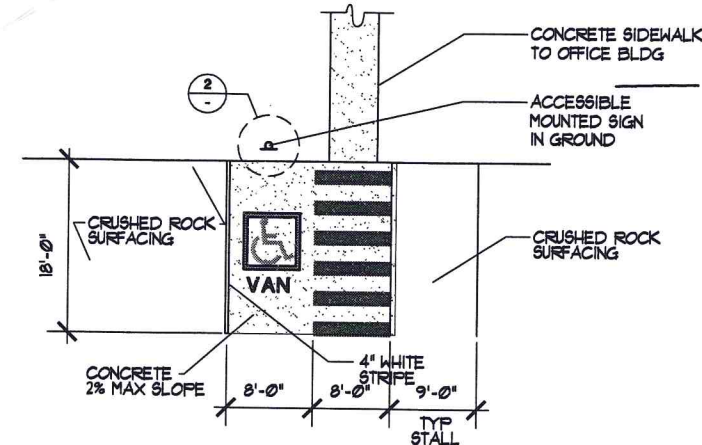
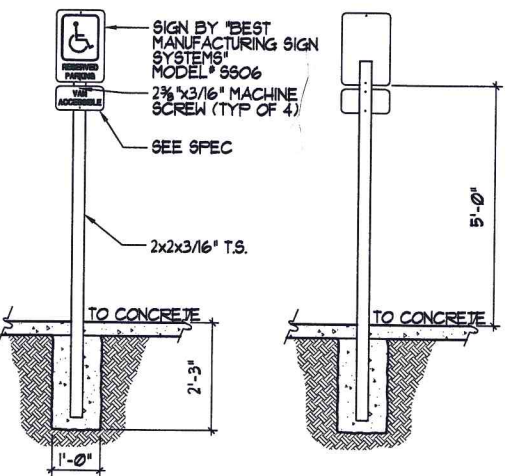


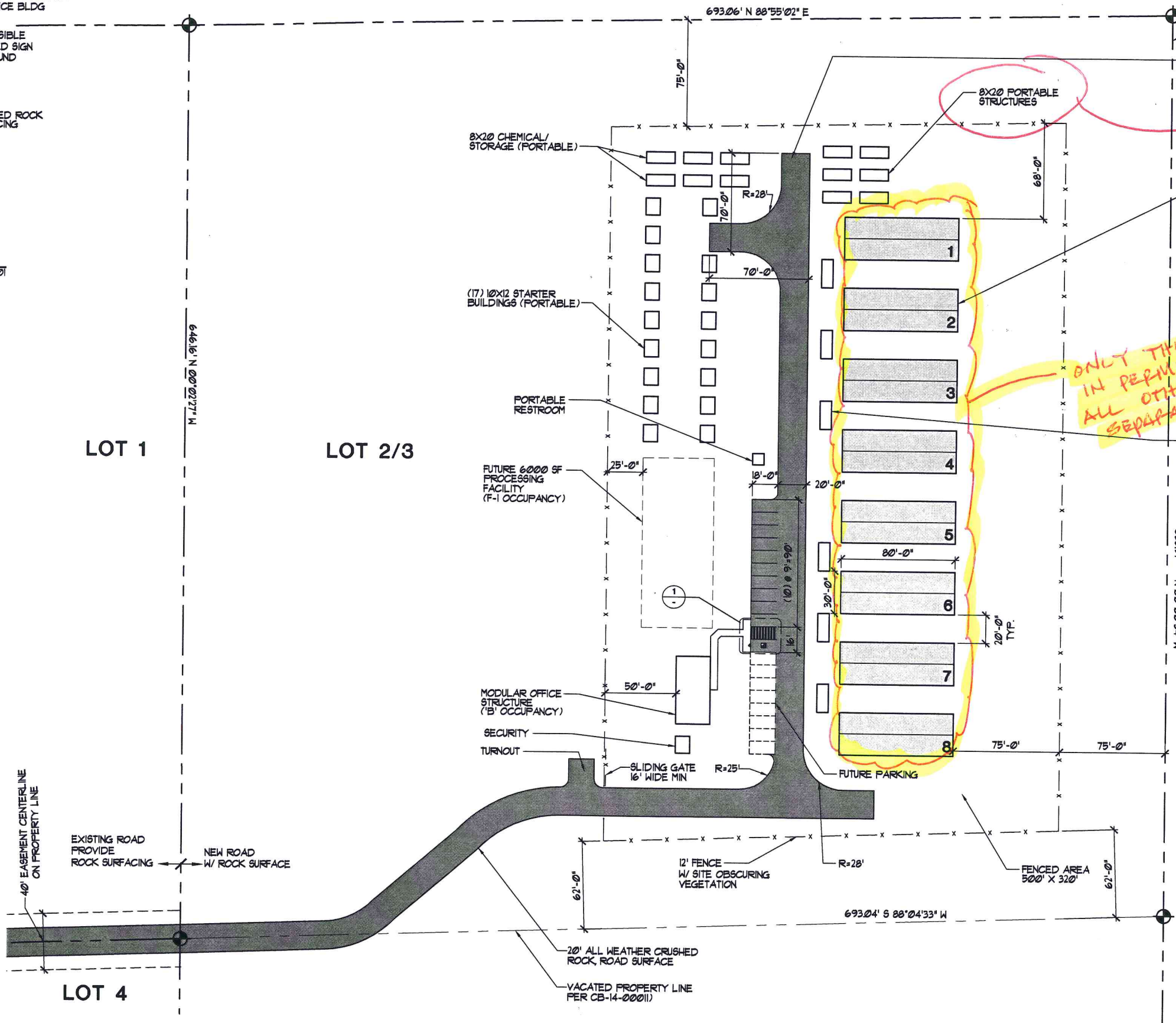
REVISIONS	BY



1 ACCESSIBLE STALL
1" = 1'-0" 14469-001



2 ACCESSIBLE SIGNAGE
1/2" = 1'-0" 14469-003



NOTE OVER 120 SQ.FT. CANNOT BE PORTABLE REQUIRES PERMITS

ONLY THESE IN PERMITS ALL OTHERS REQUIRE SEPARATE PERMITS

(8) 30'x80' PRE-ENGINEERED MANUFACTURED GREENHOUSES ('U' OCCUPANCY)

8X20 PORTABLE QUARANTINE STRUCTURES



509.663.6455
MJNEAL@MJNEALALA.COM
WWW.MJNEALALA.COM
P.O. BOX 1945
WENATCHEE, WA 98807

© Copyright 2014



RECEIVED
DEC 01 2014
KITTITAS COUNTY
CDS

NEW PROJECT FOR:
GROW BROS.
ELLENSBURG, WA

ENLARGED SITE PLAN

SCALE: 1" = 40'



Date:	2014-12-01
Scale Factor:	1
Drawn:	ah
File:	14469
Sheet:	A1.2